

UD-A | UD-V

Display for pressure transmitter 4..20 mA | 0..10 V with DIN43650 connector

thermokon[®]
HOME OF SENSOR TECHNOLOGY

Datasheet

Subject to technical alteration
Issue date: 26.01.2024 · A123

» CHARACTERISTICS

- 360° turnable; the orientation of panel is variable
- Programmable, display value can be set according to sensor's spec.
- no extra power supply is required
- Programmable by pressing 2 buttons, easy to operate
- With extensive applications as process monitoring in semiconductor industry, steel industry, chemical industry, environmental engineering, food processing, pharmaceutical industry, power plants, research and development, etc.

» PRODUCT TESTING AND CERTIFICATION

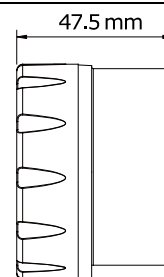
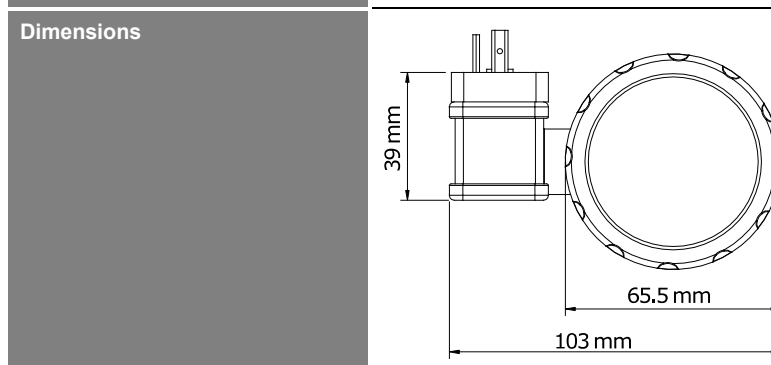


Declaration of conformity

The declaration of conformity of the products are available on our website.
<https://www.thermokon.de/direct/en-gb/categories/displays>

» TECHNICAL DATA

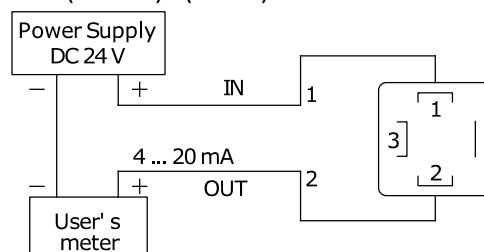
Input signal	UD-A 4..20 mA (2-wire)	UD-V 0..10 V (3-wire)
Display	4-digit LED	
Display range	-1999..+9999	
Scale	decimal point, programmable	
Display accuracy	0.2 % F.S.	
Overload current	UD-A 40 mA (2-wire)	
Electrical connection	DIN 43650 plug / DIN 43650 socket	
Protection	IP 65	
Ambient condition	-20..+60°C	
Enclosure	ABS, cover PC	



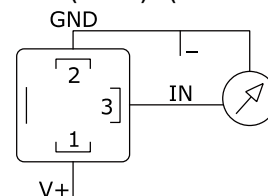
Connection (DIN46350) Power supply via transducer:

UD-A: 24V DC
UD-V: 24V DC / 24V AC ±10%

UD-A (4..20 mA) – (24V DC)

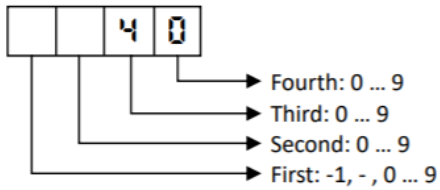


UD-V (0..10 V) – (24V DC or 24V AC ±10%)



Note 1.

- A) Readout decimal point that you set.
 B) Adjustment range: -1999 ... 9999.



- C) Default:
 4mA corresponding 400
 20mA corresponding 2000

Note 2.

- A) Adjustment of readout's response time. 0.5 s/ Unit.
 B) The range of response time:
 (0 s ... 20 s)
 C) Default: 0 s (s: second)

Note 3.

To save, please press ►+▲ at the same time after you finished setting, and then it will skip to next parameter.

Note 4.

If you didn't press any key over 20 s during setting, it will exit setting program and return to main manual without save.