



Technical Overview

The OC-C-LVN is a Passive Infra-Red detector for monitoring occupation through moving body heat.

Detection of occupancy causes the internal SPDT relay to activate and the volt free contact ensures compatibility with a vast array of equipment including BMS digital inputs. Units are also fitted with an adjustable time delay.

Features and Benefits

- 24Vac/dc powered
- Flush mounted
- LED status for occupancy
- 6 meter coverage
- Low voltage loads (6(2)A @24V) can be switched directly without the need for interposing relays
- Easy adjustment of delay time

Product Codes

OC-C-LVN Flush Ceiling Mounted Occupancy Detector

Specification

Occupancy Sensor	Passive Infra-Red Detector
Field of view	360°
Coverage	6 metres max.
Type	Class 2I
Off Delay Timer	10 seconds to 30 minutes
Supply Voltage	24Vac/dc
Current	20mA max.
Switching Capacity	6(2)A @24V
Occupancy LED	Red LED ON confirms presence
Electrical Connections:	
Supply	+24V, 0V
Relay	Common, NO, NC
Ambient	
Temperature	-10 to +40°C
Humidity	90%RH non-condensing
Material	Flame retardant ABS, polypropylene
Protection	IP30
Country of Origin	China
Conformity	EMC, CE & UKCA Marked

WEEE Directive:



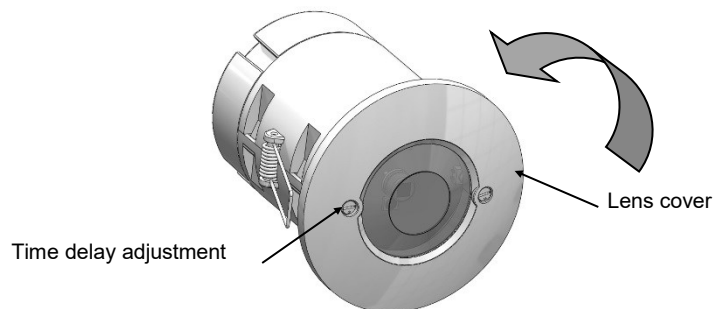
At the end of the products useful life please dispose as per the local regulations. Do not dispose of with normal household waste. Do not burn.



Installation

The detector should be sited so that the occupants of the room fall inside the detection pattern shown overleaf, at a recommended ceiling height of 2.8m. Note that the lower the sensor is installed the smaller the detection range will be, subject to the parameters shown on the diagram.

- Avoid direct sunlight entering the sensor.
 - Do not site within 1m of forced air heating or ventilation.
 - Do not site within 1m of any lighting.
 - Do not fix to a vibrating surface.
 - To switch from more than one position simply wire two or more units in parallel.
1. Ensure that the ceiling tile is of suitable material to support the weight of the unit and that there is sufficient clearance above the ceiling and cut a $\varnothing 68\text{mm}$ hole in the ceiling tile.
 2. Remove the protective cover from the top of the detector to expose the wiring terminals.
 3. Unscrew the cable relief fitting and pass the wiring cables through the protective cover. Wire at the terminals provided as required and replace the protective cover and tighten the cable strain relief.
 4. Hold the main body and carefully press the outer ends of the spring clips in towards the body. Push the unit through the mounting hole until the front bezel is flat against the ceiling.
 5. Gently rotate the lens bezel anticlockwise to expose the concealed adjustment potentiometers. Set the time (white) to minimum (fully anticlockwise).



6. Care should be taken while turning the potentiometer screws so that you do not force them beyond the free range of travel.
7. Power the unit up, the load should come on immediately.
8. Vacate the room or remain very still and wait for the load to switch off.
9. Check that the load switches on when movement is detected, see LED status below.
10. Set the time delay required.
 - 10 seconds fully anticlockwise
 - 30 minutes fully clockwise
11. Rotate the lens bezel clockwise to conceal the adjustment potentiometers.

LED Status

Behind the lens there is a red LED that will illuminate and flash every 2 seconds on detection of occupancy. This LED will be OFF when no occupancy is detected.

Note

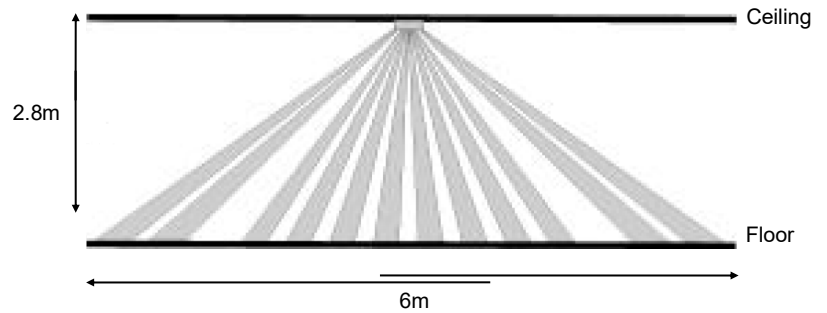
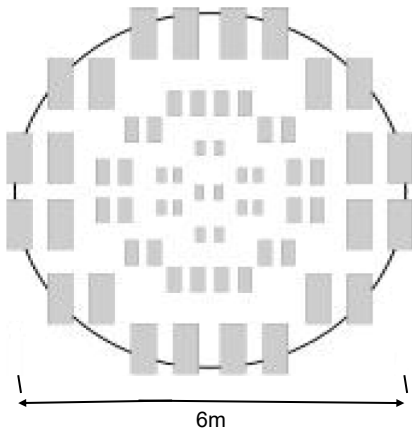
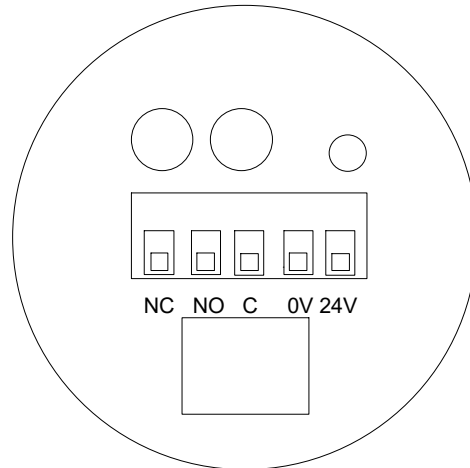
There is a small piece of moulded plastic included inside the housing. This is not required for this model and should be disposed of.

Connections & Detector Patten

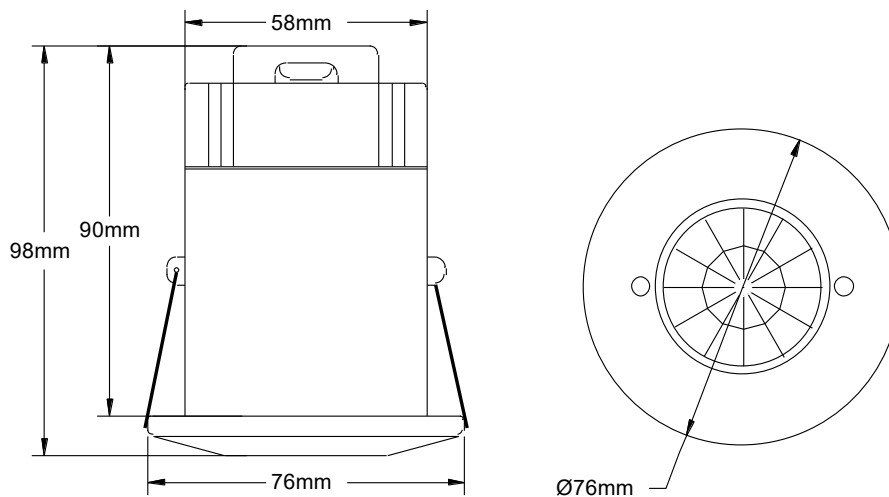
- 24V Supply voltage 24Vac/dc
- 0V Supply 0V
- C Relay output Common
- NO Relay output Normally Open
- NC Relay output Normally Closed

Contacts are made;

No occupancy	C - N/C
Occupancy	C - N/O



Dimensions



Whilst every effort has been made to ensure the accuracy of this specification, Sontay cannot accept responsibility for damage, injury, loss or expense resulting from errors or omissions. In the interest of technical improvement, this specification may be altered without notice.